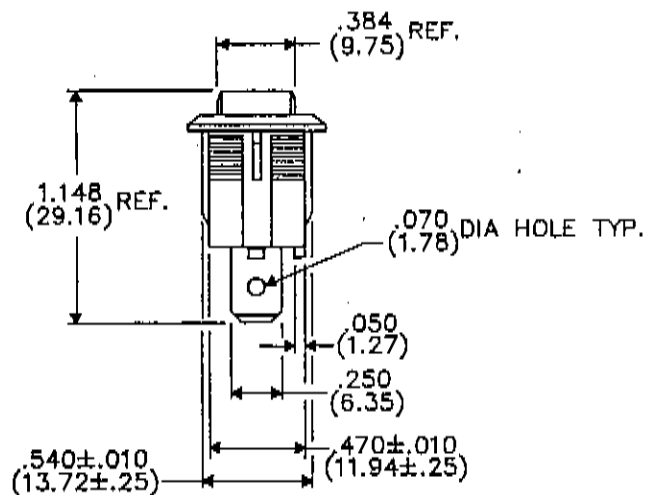
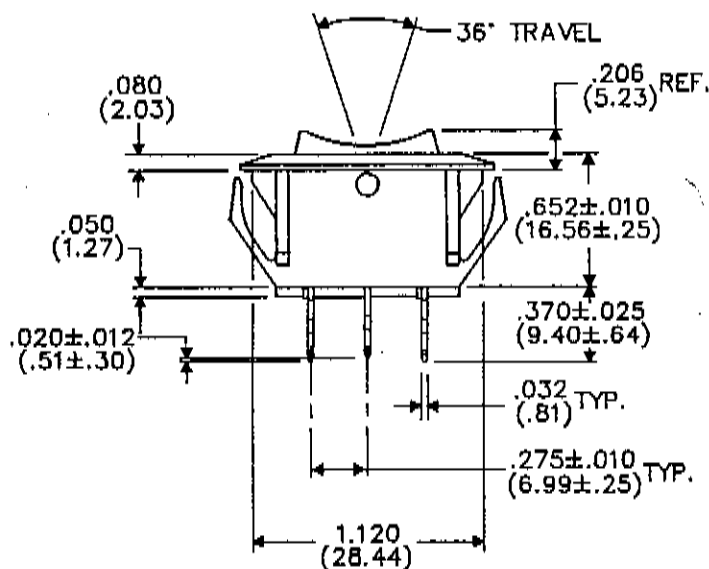


DIMENSIONS IN INCHES (MILLIMETERS)
DO NOT SCALE DRAWING

Drawing No.
GRS-2013A-2000



B-FORM-9

REVISIONS

RELEASED
MAN 3-15-80
MAR 19 1980

CW INDUSTRIES
Southampton, Pa. 18966

Title **ASSEMBLY DRAWING**
CENTER OFF
S.P.D.T. ROCKER SWITCH
NON-POLARIZED
1.125 x .550 PANEL

TOLERANCES UNLESS OTHERWISE SPECIFIED
2 Place decimal ±.010 METRIC
3 Place decimal ±.005 2 Place dec. ±.25 MM
Angles .1° 2 Place dec. ±.13 MM

Made for: CW Ind.
Drawn by: MAM 3-15-80
Checked by: *[Signature]* 3-16-80
Approval:

Division **SWITCH**
Drawing No.
GRS-2013A-2000

MASTER